

HYDRASUB 20

2" Submersible Centrifugal Pump

The HYDRASUB 20 is a robust 2-inch hydraulic submersible centrifugal pump designed for demanding fluid transfer tasks in tough conditions. Its compact, lightweight build incorporates anodized, high-strength aluminum for superior resistance to corrosion. This self-priming unit delivers impressive performance, achieving flow rates up to 300 GPM (68.1 m³/h) and handling heads as high as 76 feet (23 m).

Key features include a stainless steel impeller, precision ball bearings, and a quiet, energy-efficient gerotor-style hydraulic motor.

Ideal for use in agriculture, industrial operations, marine settings, and OEM applications, the HYDRASUB 20 combines reliability with portability. It can manage solids up to ½ inch (12.7 mm) and operate dry without sustaining damage, making it a practical solution for professionals who require durability and ease of use in the field.

SPECIFICATIONS:

Discharge	2" NPT with A-Type cam and groove fitting included
Materials of Construction	Aluminum
Flow	Up to 300 GPM (68.1 m ³ /h)
Head Feet	Up to 76' (23 m)
Impeller	3.90" (99.06 mm) stainless steel
Drive Options	Hydraulic motor .37 cu. in. (6.06 cm ³)
Max Solid Size	Up to 1/2" (12.7 mm)
Features	<ul style="list-style-type: none">• Carrying handle provided• Compact, lightweight design• Corrosion resistant• Pumps down to a depth of 3/4" (19 mm)• Quiet operation with gerotor motor• Self-priming, can run dry without damage

Application:

- Agricultural
- Industrial
- Marine
- OEM



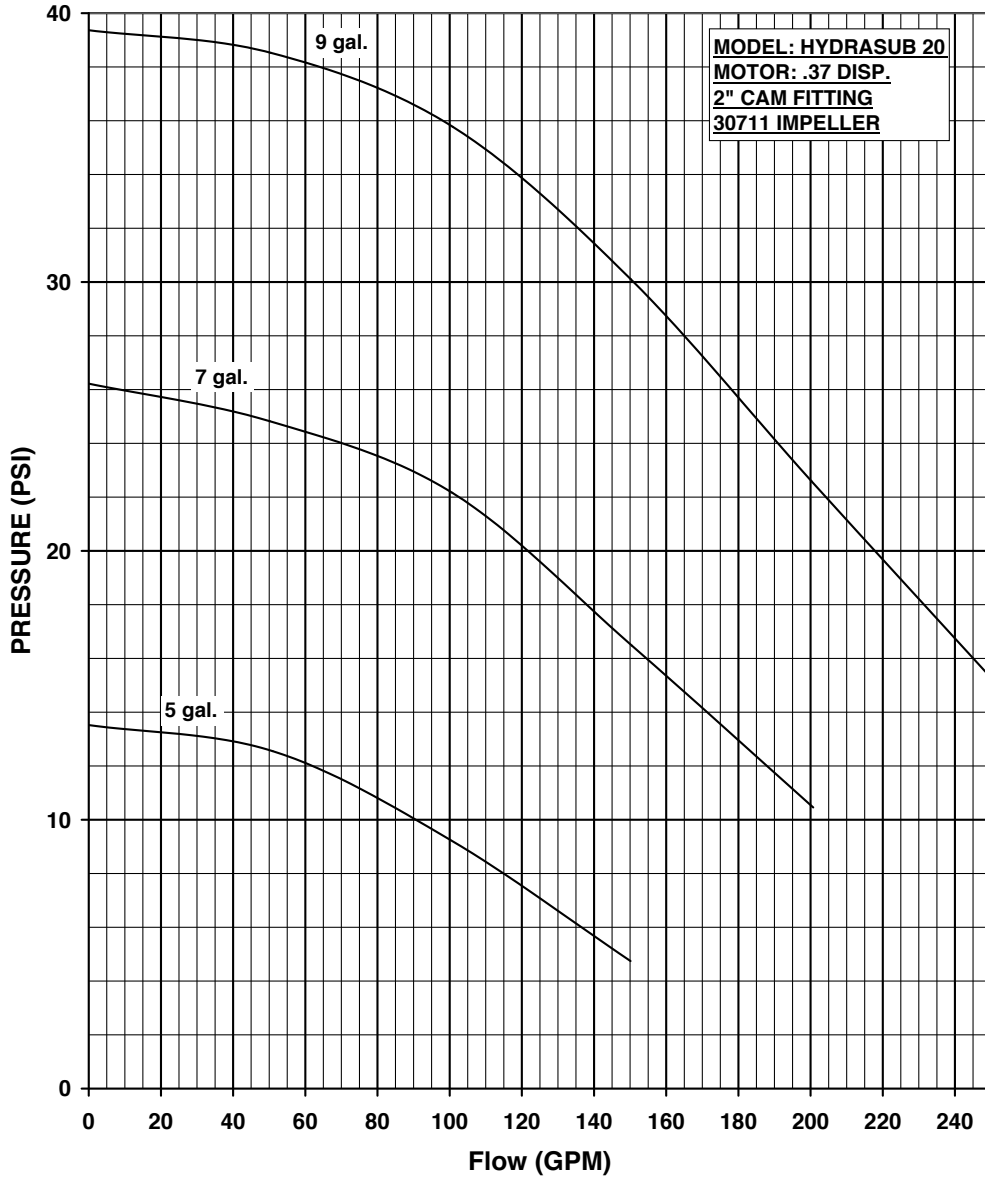
12500 South Pulaski Road
Alsip, IL 60803, USA
Phone (800) 563-8006



An Ingersoll Rand Business

HYDRASUB 20

PERFORMANCE CURVES



OIL FLOW	SHUT OFF	20	40	60	80	100	120	140	160	180	200	220	240	MAX. HYD. OIL PRESS. REQ.
	0 GPM	GPM	GPM	GPM	GPM	GPM	GPM	GPM	GPM	GPM	GPM	GPM	GPM	
5 GPM	14 PSI	14 PSI	13 PSI	13 PSI	12 PSI	9 PSI	7 PSI	6 PSI						730 PSI
7 GPM	27 PSI	26 PSI	25 PSI	24 PSI	24 PSI	23 PSI	20 PSI	18 PSI	16 PSI	13 PSI	11 PSI			1290 PSI
9 GPM	39 PSI	38 PSI	38 PSI	37 PSI	37 PSI	36 PSI	34 PSI	32 PSI	28 PSI	26 PSI	23 PSI	18 PSI	17 PSI	1850 PSI

CN 7096-S



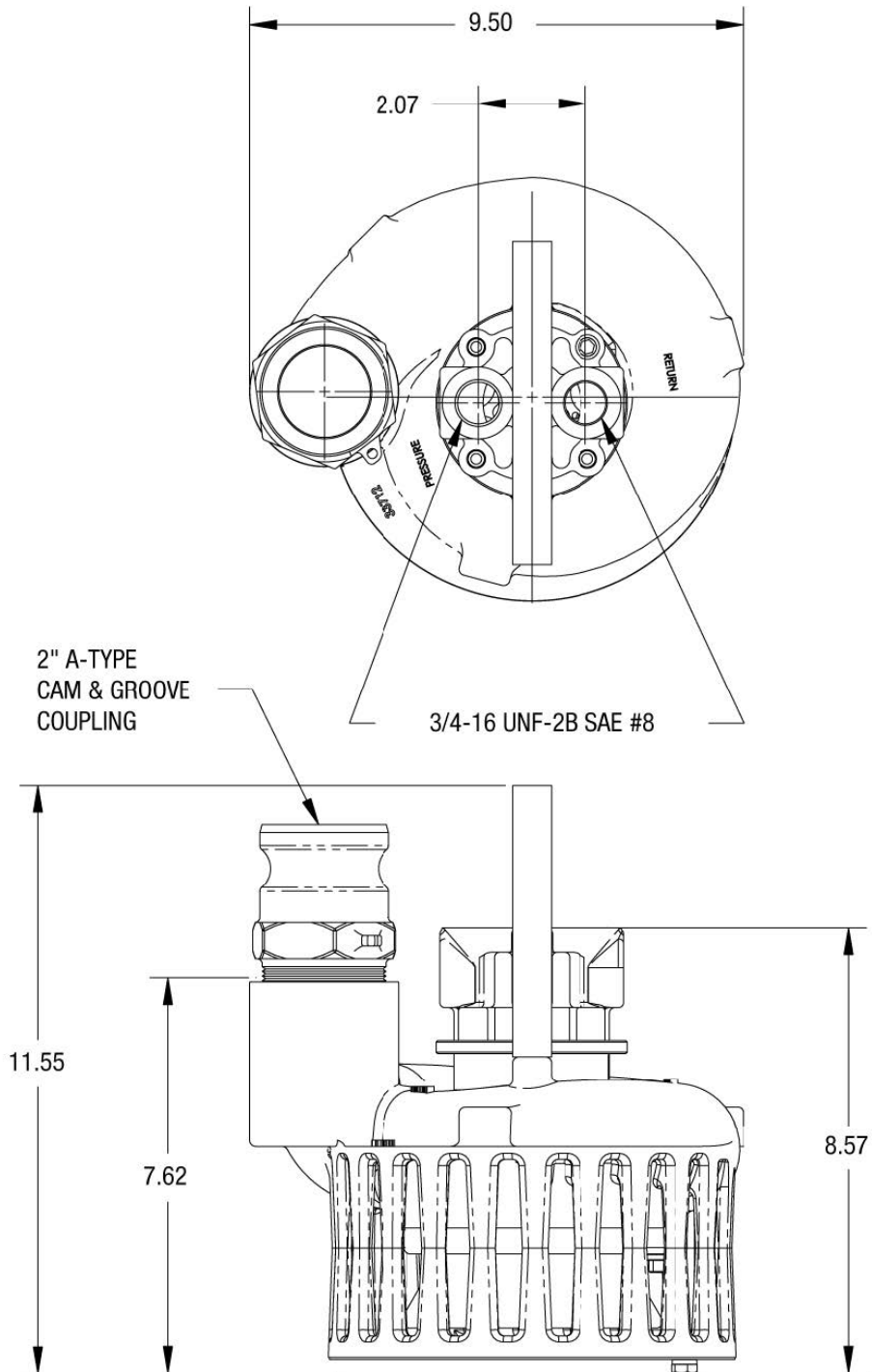
12500 South Pulaski Road
 Alsip, IL 60803, USA
 Phone (800) 563-8006



An Ingersoll Rand Business

HYDRASUB 20

DIMENSIONS



* For complete parts lists and troubleshooting guidance, please refer to the MP Pumps Installation Operation & Maintenance (IOM) Manual.



12500 South Pulaski Road
Alsip, IL 60803, USA
Phone (800) 563-8006